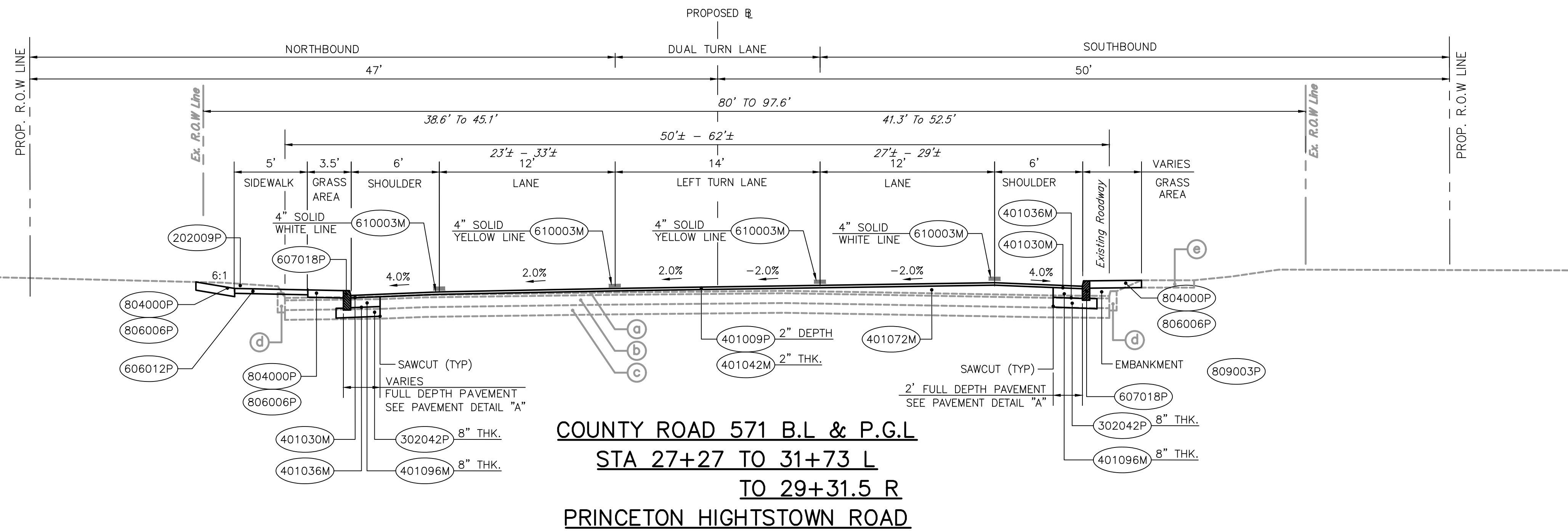
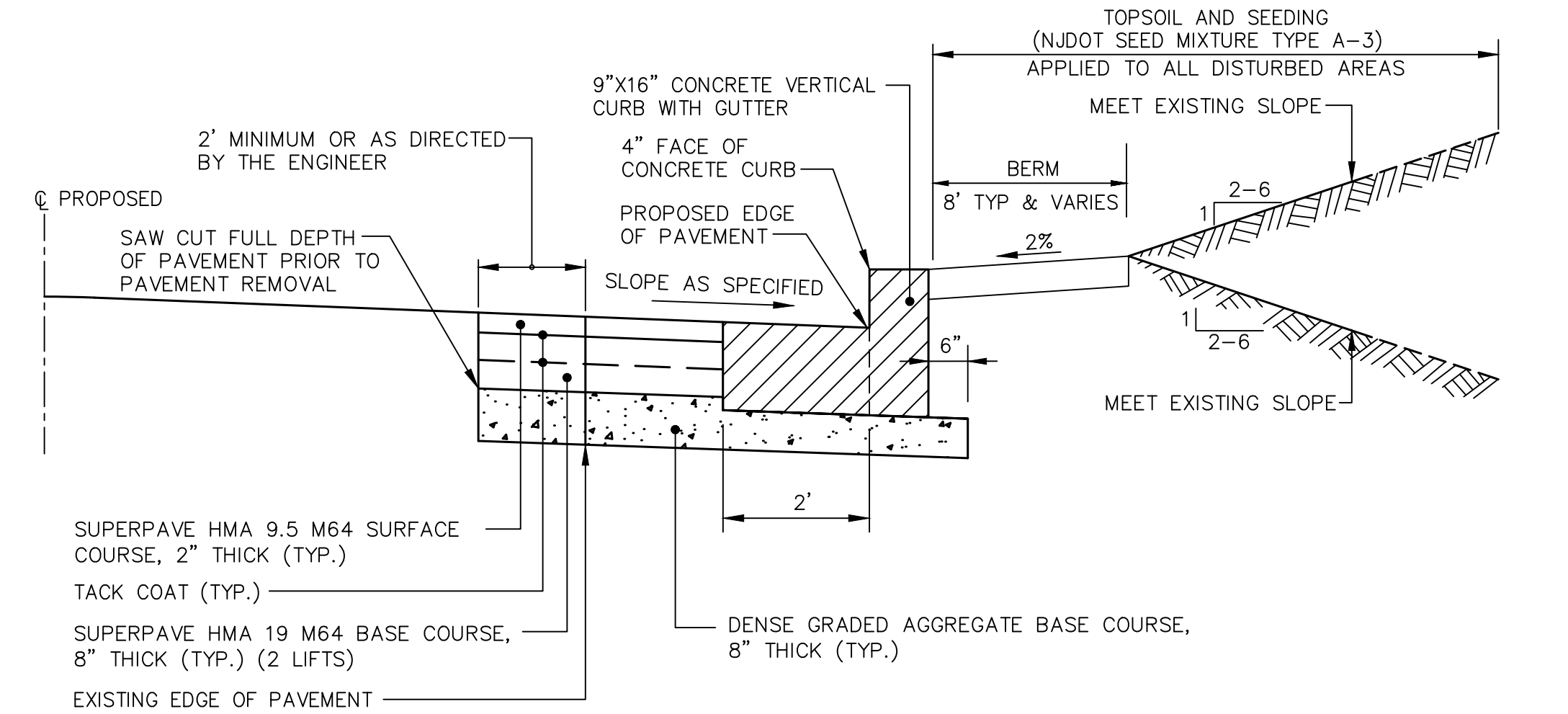


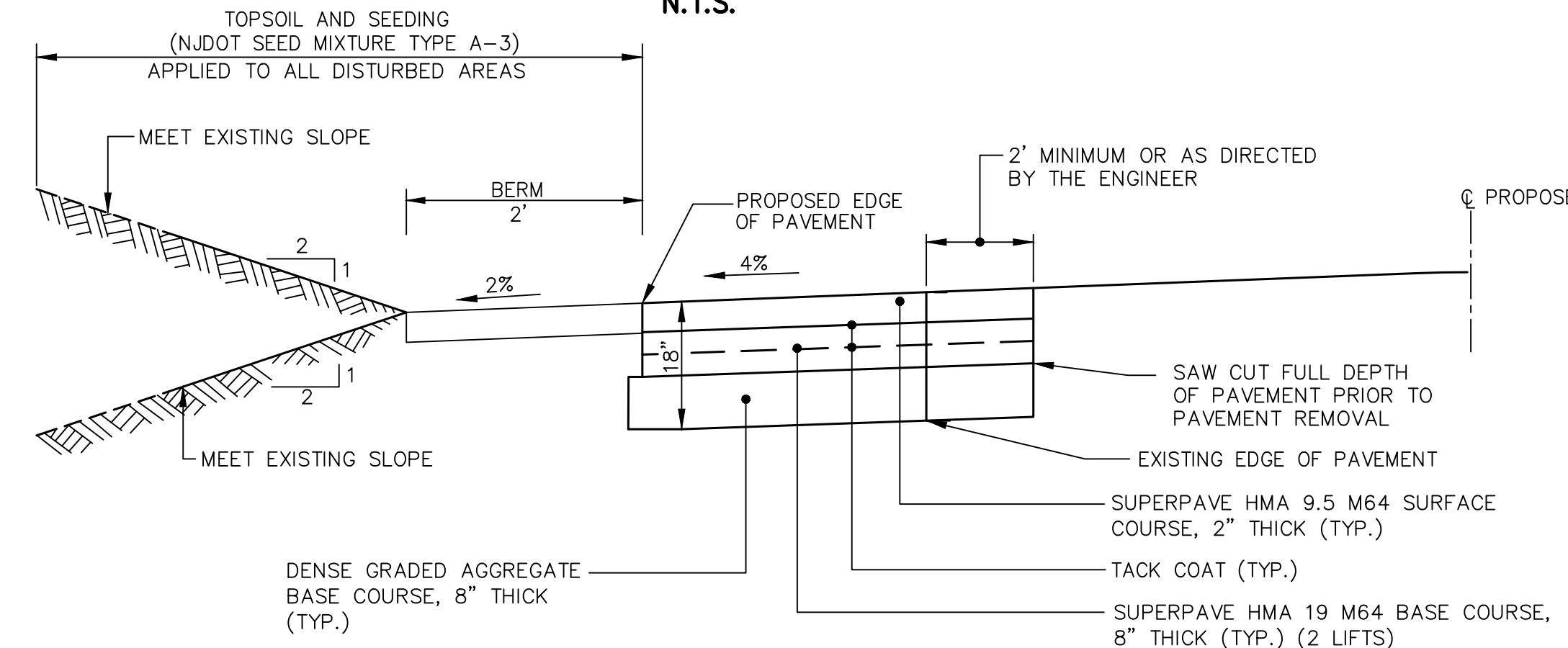
LOUIS BERGER, MORRISTOWN, NJ CADD FILE: V:\Operations\167-DR\PC\1001\Technical\Cadd\Sheet Files\Contract 2\03_Typical Sections.dwg Aug 18, 2020 - 9:26am



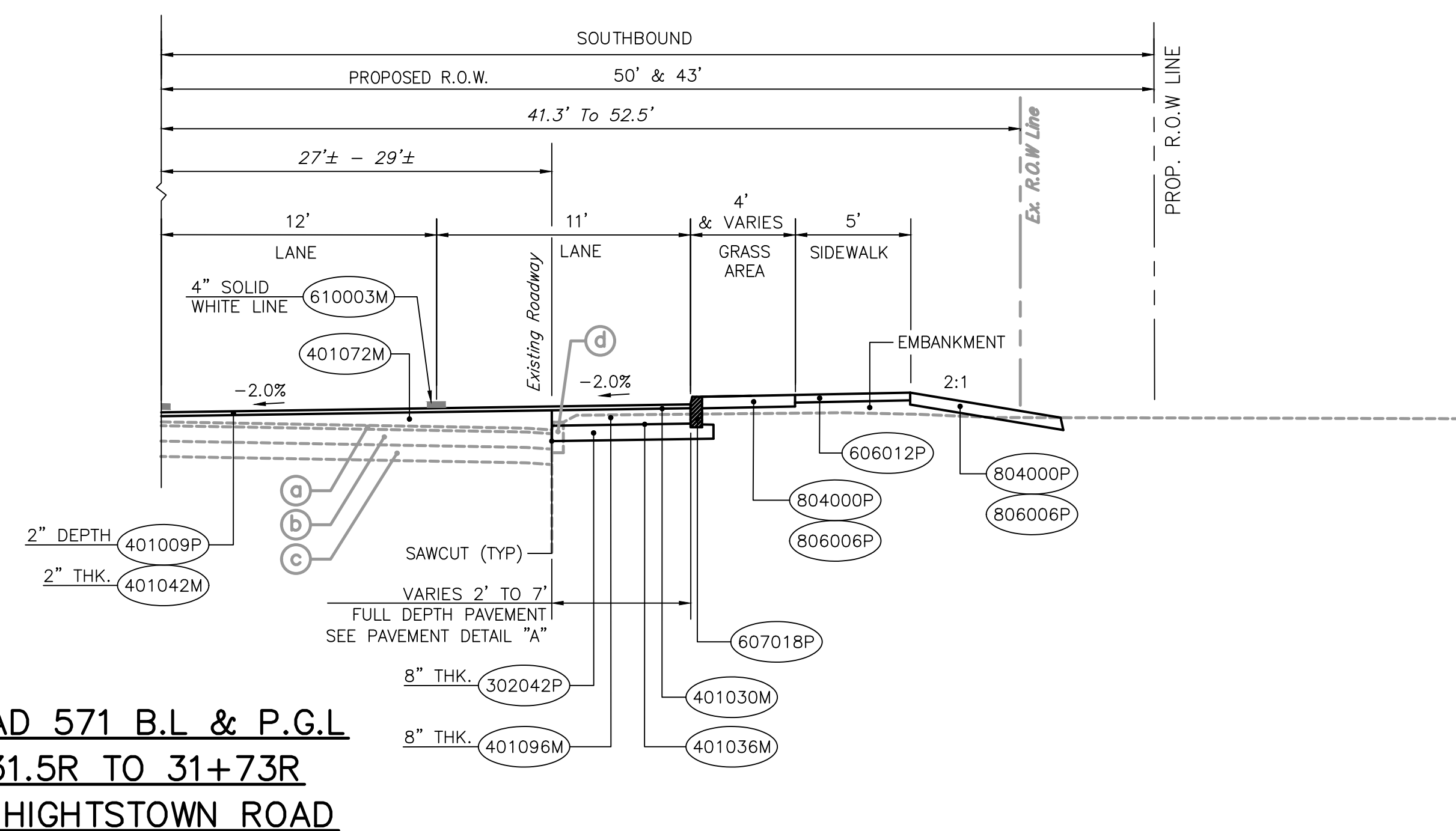
**COUNTY ROAD 571 B.L. & P.G.L.
STA 27+27 TO 31+73 L
TO 29+31.5 R
PRINCETON HIGHTSTOWN ROAD**



**TYPICAL ROAD-WIDENING DETAIL WITH CURB & GUTTER
DETAIL "A"
N.T.S.**



**TYPICAL ROAD-WIDENING DETAIL WITHOUT CURB
DETAIL "B"
N.T.S.**



**COUNTY ROAD 571 B.L. & P.G.L.
STA 29+31.5R TO 31+73R
PRINCETON HIGHTSTOWN ROAD**

Proposed Materials	
Item No.	To Be Constructed
157006M	Monument
202021P	Removal of Pavement
202009P	Excavation Unclassified
302042P	Dense Graded Aggregate Base Course, 8" Thick
401009P	HMA Milling, 3" Or Less
401021M	Hot Mix Asphalt Pavement Repair
401030M	Tack Coat
401036M	Prime Coat
401042M	Hot Mix Asphalt 9.5 M 64 Surface Course
401072M *	Hot Mix Asphalt 12.5 M 64 Intermediate Course
401096M	Hot Mix Asphalt 19 M 64 Base Course
606012P	Concrete Sidewalk, 4" Thick
606039P	Hot Mix Asphalt Driveway, 6" Thick
606084P	Detectable Warning Surface
607032P	9"x16" Concrete Vertical Curb With Gutter
610003M	Traffic Stripes, 4"
802021M	Tree Removal Over 6" to 12" Diameter
804000P	Topsoil Spreading, 5" Thick
806006P	Fertilizing and Seeding, Type A-3
809003P	STRAW MULCHING

Item No.	Description
a	Hot Mix Asphalt 9.5 M 64 Surface Course
b	Hot Mix Asphalt 19 M 64 Base Course
c	Dense Graded Aggregate, 8" Thick
d	9"x16" White Concrete Vertical Curb
e	Concrete Sidewalk, 4" Thick

NOTE:
* QUANTITIES FOR THIS ITEM SHOWN IN CROSS SECTION PLANS UNDER "SBC"

wsp

MICHAEL DUNN
PROFESSIONAL ENGINEER
N.J. LIC. No. 24GE04500000

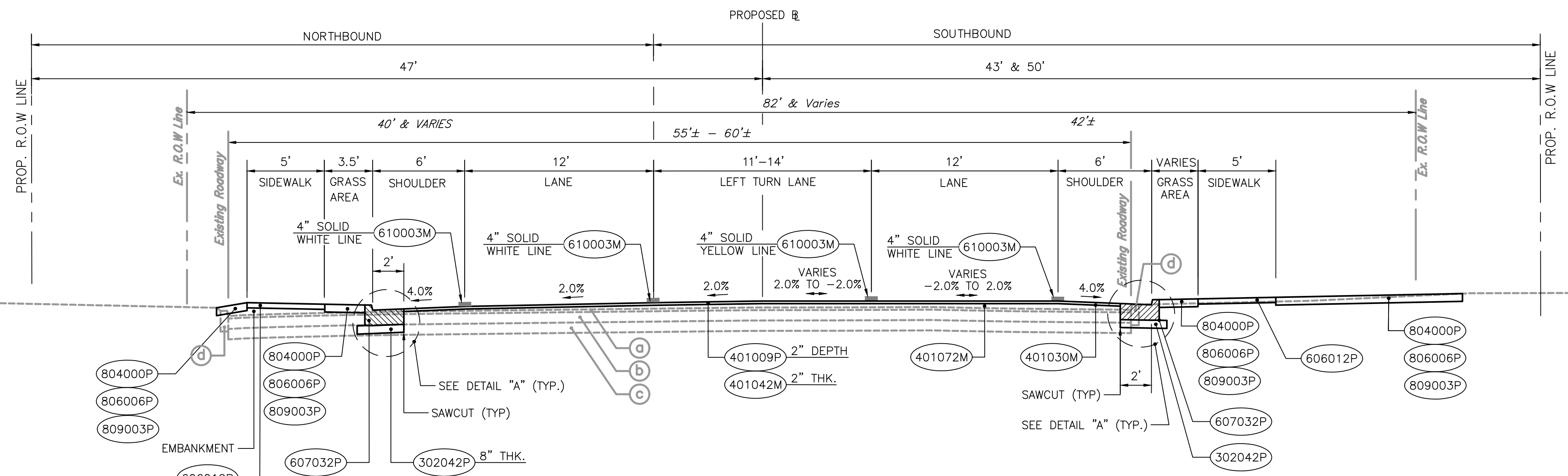
TYPICAL SECTIONS

**IMPROVEMENTS TO
PRINCETON-HIGHTSTOWN ROAD
COUNTY ROUTE No. 571**
FROM STA. 10+28.54 TO STA. 57+00.00
TOWNSHIP OF WEST WINDSOR, MERCER COUNTY

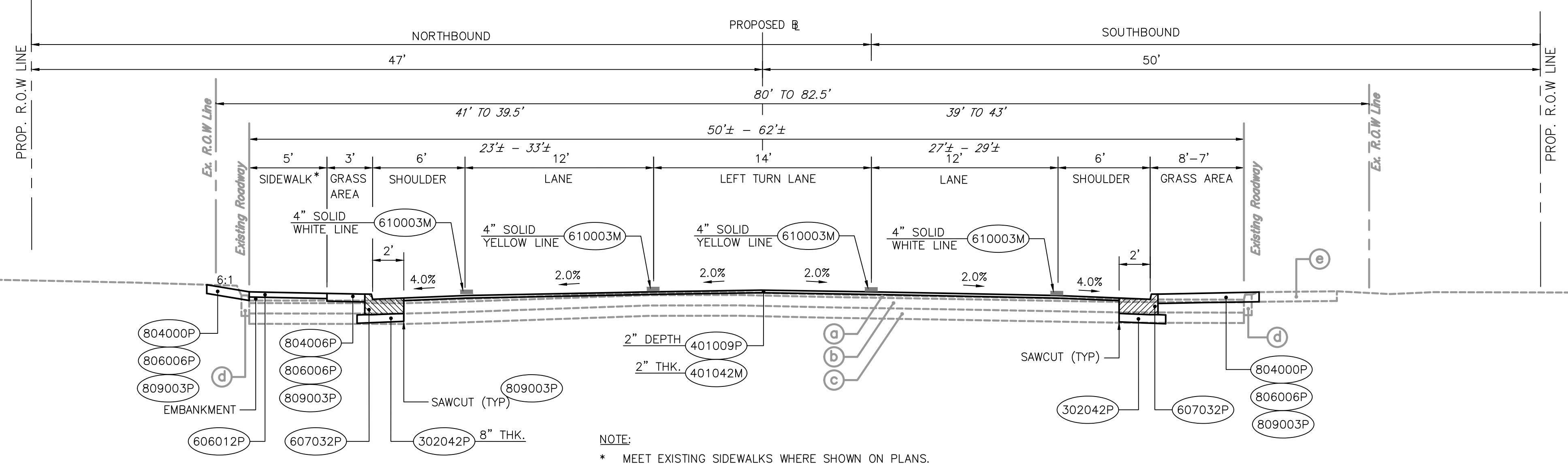
DES. BY	DATE	AUGUST, 2019	SCALE		SHEET No.	
CHK'D BY	DATE	AUGUST, 2019	FLD. WK. BY		3	87
DRAWN BY	DATE	AUGUST, 2019	BK.			
CHK'D BY	DATE	AUGUST, 2019	APP'D BY			

TS-1
TS-6

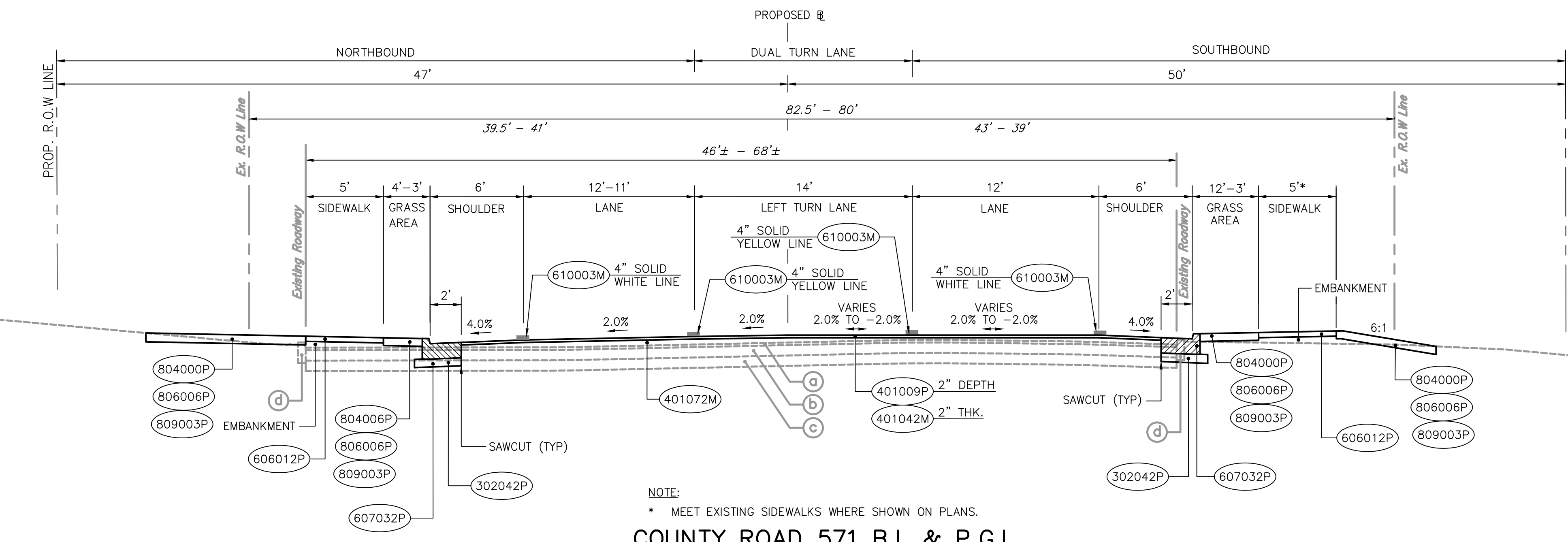
LOUIS BERGER, MORRISTOWN, NJ CADD FILE: V:\Operations\167-DRVPC\1001\Technical\Cadd\Sheet Files\Contract 2\03_Typical Sections.dwg Aug 18, 2020 - 9:27am



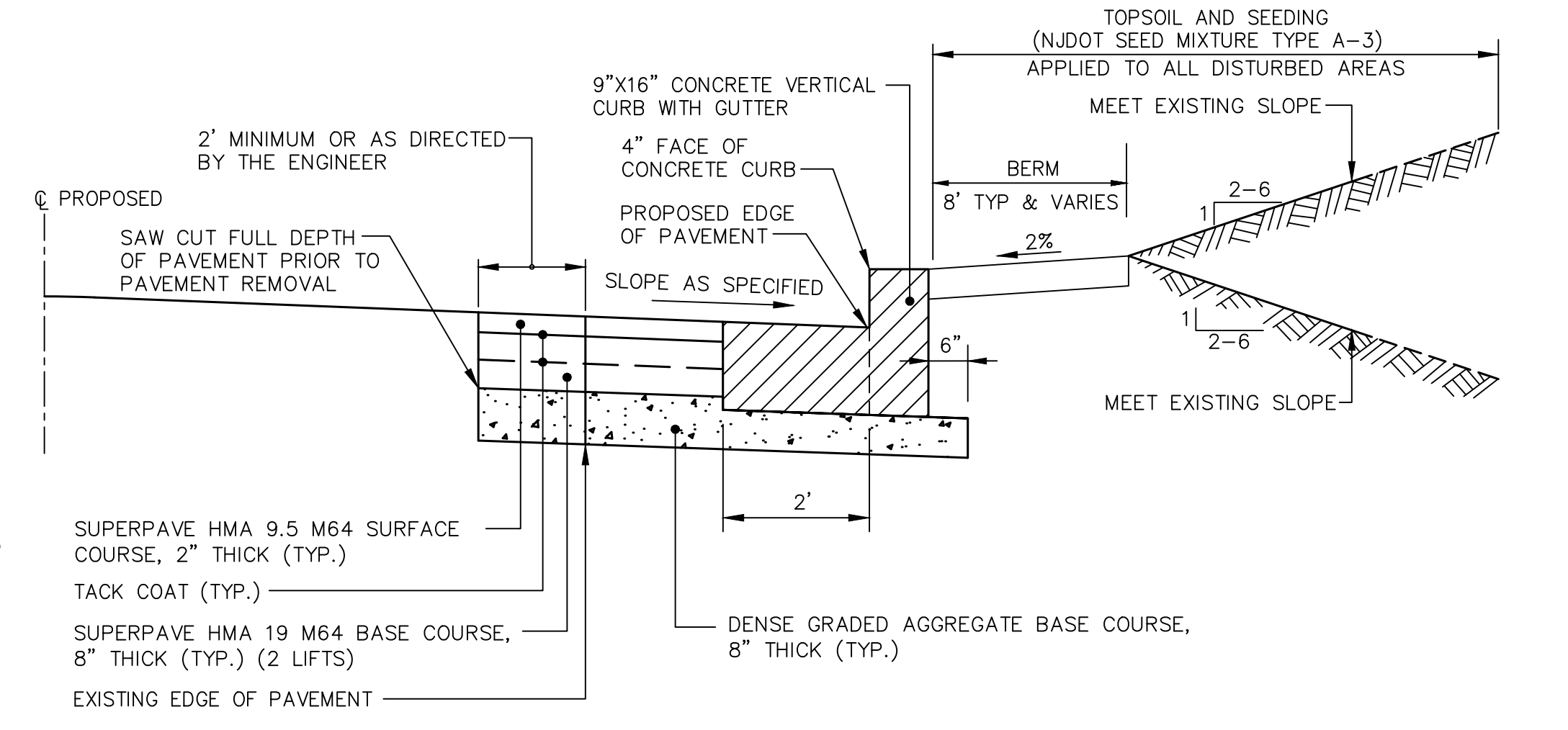
**COUNTY ROAD 571 B.L. & P.G.L.
STA 31+73 TO 33+07
PRINCETON HIGHTSTOWN ROAD**



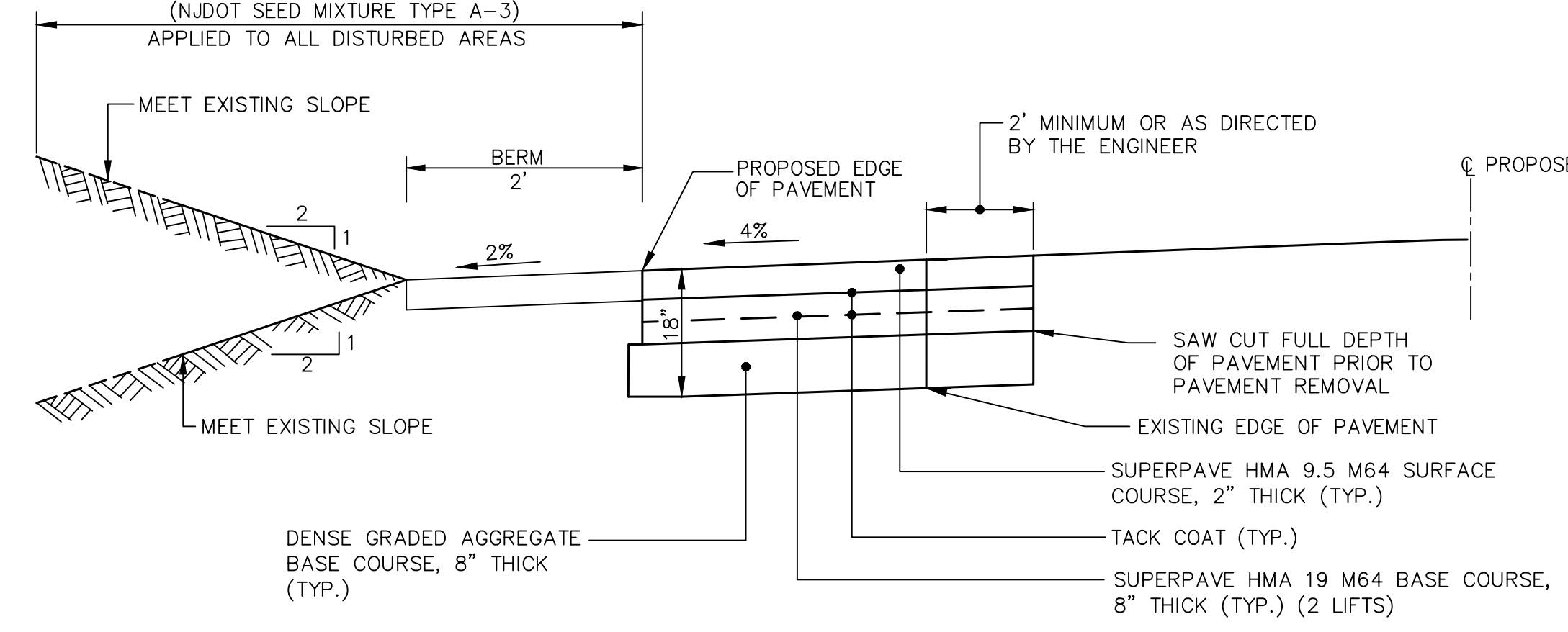
**COUNTY ROAD 571 B.L. & P.G.L.
STA 33+07 TO 37+55
PRINCETON HIGHTSTOWN ROAD**



**COUNTY ROAD 571 B.L. & P.G.L.
STA 37+55 TO 38+78
PRINCETON HIGHTSTOWN ROAD**



**TYPICAL ROAD-WIDENING DETAIL WITH CURB & GUTTER
DETAIL "A"
N.T.S.**



**TYPICAL ROAD-WIDENING DETAIL WITHOUT CURB
DETAIL "B"
N.T.S.**

Proposed Materials	
Item No.	To Be Constructed
157006M	Monument
202021P	Removal of Pavement
202009P	Excavation Unclassified
302042P	Dense Graded Aggregate Base Course, 8" Thick
401009P	HMA Milling, 3" Or Less
401021M	Hot Mix Asphalt Pavement Repair
401030M	Tack Coat
401036M	Prime Coat
401042M	Hot Mix Asphalt 9.5 M 64 Surface Course
401072M *	Hot Mix Asphalt 12.5 M 64 Intermediate Course
401096M	Hot Mix Asphalt 19 M 64 Base Course
606012P	Concrete Sidewalk, 4" Thick
606039P	Hot Mix Asphalt Driveway, 6" Thick
606084P	Detectable Warning Surface
607032P	9"x16" Concrete Vertical Curb With Gutter
610003M	Traffic Stripes, 4"
802021M	Tree Removal Over 6" to 12" Diameter
804000P	Topsoil Spreading, 5" Thick
806006P	Fertilizing and Seeding, Type A-3
809003P	STRAW MULCHING

Item No.	Description
a	Hot Mix Asphalt 9.5 M 64 Surface Course
b	Hot Mix Asphalt 19 M 64 Base Course
c	Dense Graded Aggregate, 8" Thick
d	9"x16" White Concrete Vertical Curb
e	Concrete Sidewalk, 4" Thick

NOTE:
* QUANTITIES FOR THIS ITEM SHOWN IN CROSS SECTION PLANS UNDER "SBC"

wsp

MICHAEL DUNN
PROFESSIONAL ENGINEER

N.J. LIC. No. 24GE04500000

DATE _____

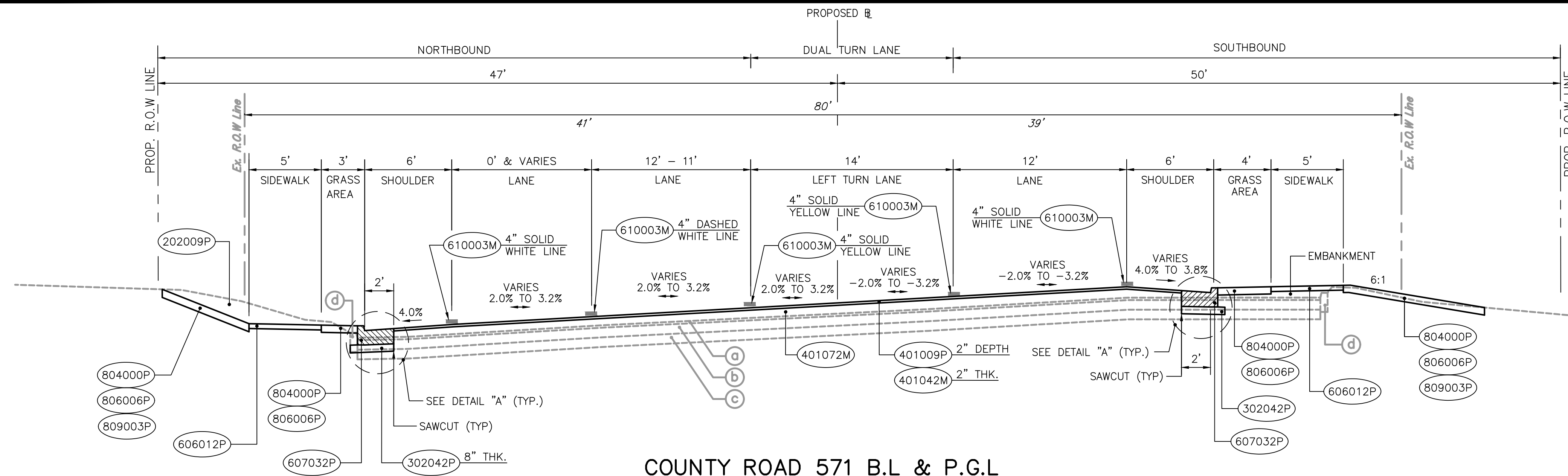
TYPICAL SECTIONS

**IMPROVEMENTS TO
PRINCETON-HIGHTSTOWN ROAD
COUNTY ROUTE No. 571
FROM STA. 10+28.54 TO STA. 57+00.00
TOWNSHIP OF WEST WINDSOR, MERCER COUNTY**

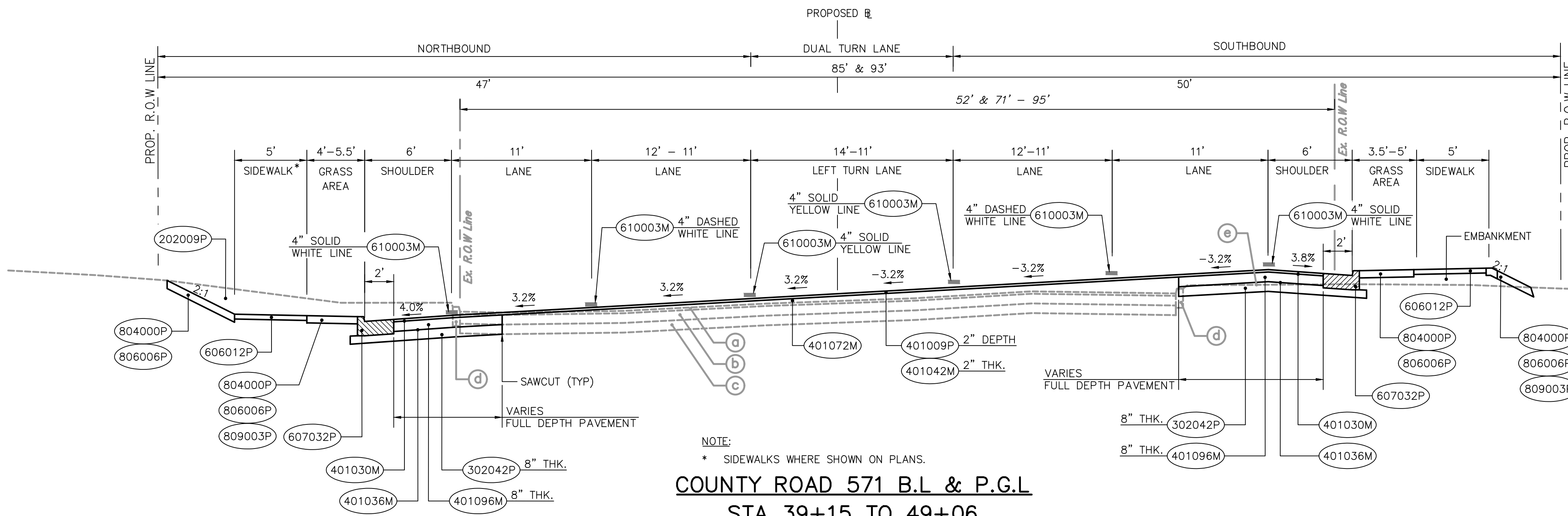
DES. BY	DATE	AUGUST, 2019	SCALE		SHEET No.	
CHK'D BY	DATE	AUGUST, 2019	FLD. WK. BY			
DRAWN BY	DATE	AUGUST, 2019	BK.		4	87
CHK'D BY	DATE	AUGUST, 2019	APP'D BY			

TS-2
TS-6

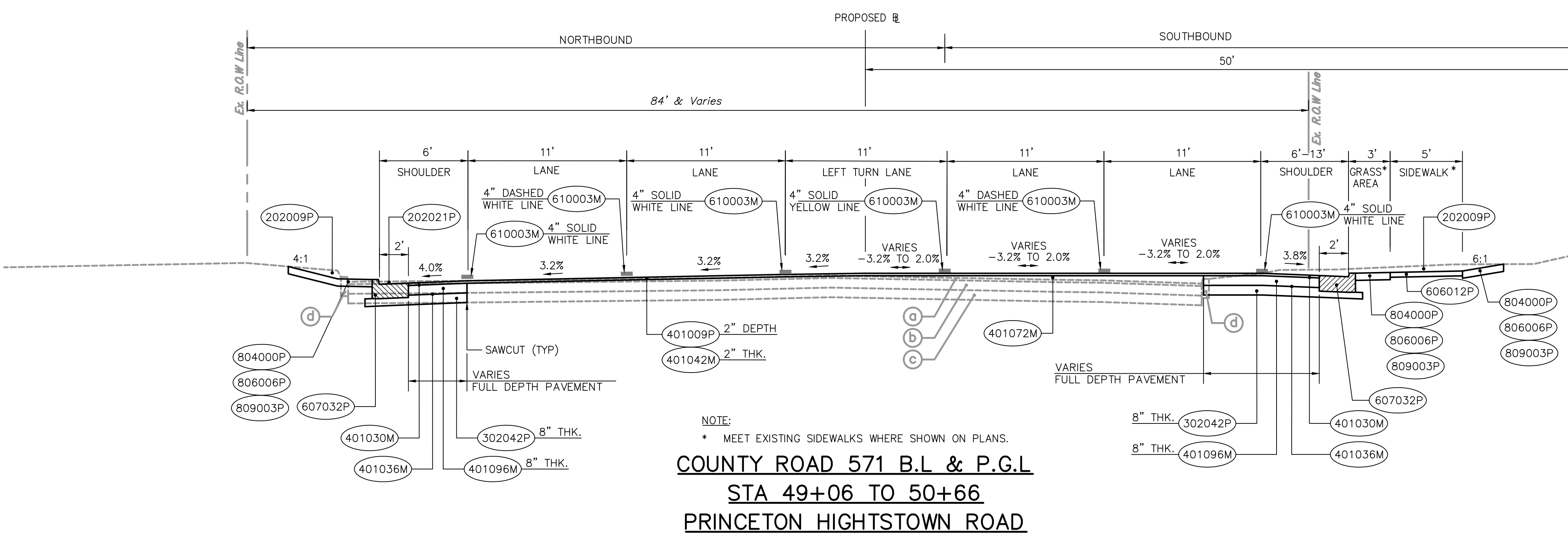
LOUIS BERGER, MORRISTOWN, NJ CADD FILE: V:\Operations\167-DR\PC\1001\Technical\Cadd\Sheet Files\Contract 2\03_Typical Sections.dwg Aug 18, 2020 - 9:27am



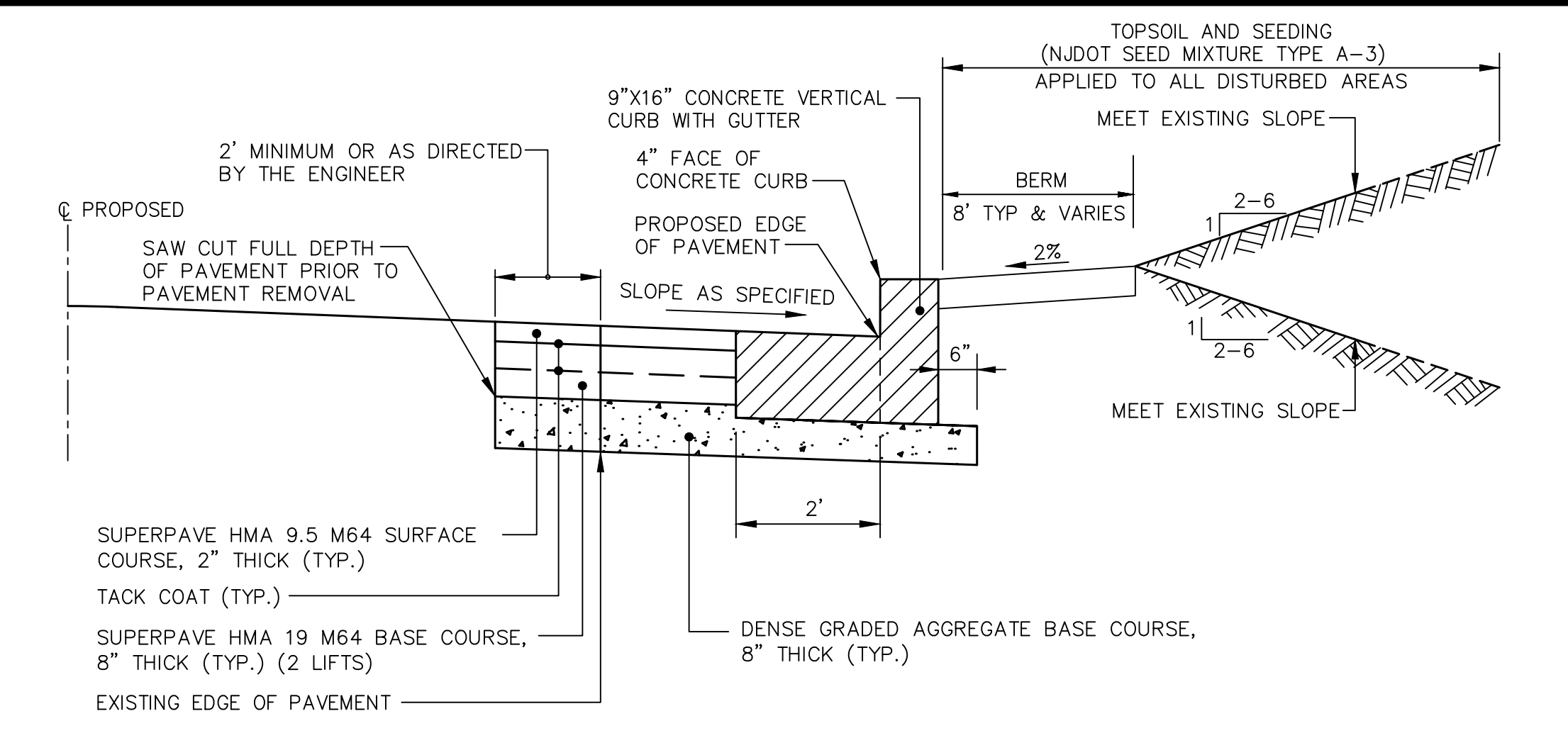
**COUNTY ROAD 571 B.L. & P.G.L.
STA 38+78 TO 39+15
PRINCETON HIGHTSTOWN ROAD**



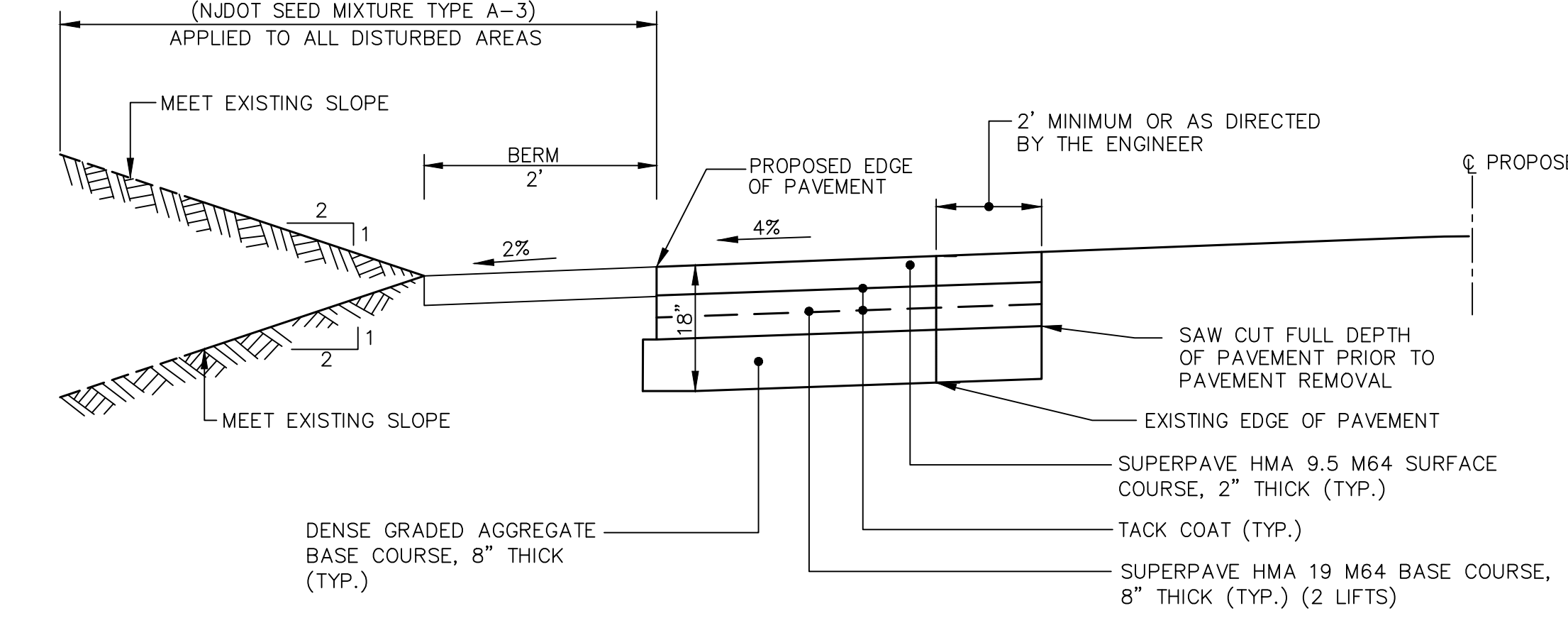
**COUNTY ROAD 571 B.L. & P.G.L.
STA 39+15 TO 49+06
PRINCETON HIGHTSTOWN ROAD**



**COUNTY ROAD 571 B.L. & P.G.L.
STA 49+06 TO 50+66
PRINCETON HIGHTSTOWN ROAD**



**TYPICAL ROAD-WIDENING DETAIL WITH CURB & GUTTER
DETAIL "A"
N.T.S.**



**TYPICAL ROAD-WIDENING DETAIL WITHOUT CURB
DETAIL "B"
N.T.S.**

Proposed Materials	
Item No.	To Be Constructed
157006M	Monument
202021P	Removal of Pavement
202009P	Excavation Unclassified
302042P	Dense Graded Aggregate Base Course, 8" Thick
401009P	HMA Milling, 3" Or Less
401021M	Hot Mix Asphalt Pavement Repair
401030M	Tack Coat
401036M	Prime Coat
401042M	Hot Mix Asphalt 9.5 M 64 Surface Course
401072M *	Hot Mix Asphalt 12.5 M 64 Intermediate Course
401096M	Hot Mix Asphalt 19 M 64 Base Course
606012P	Concrete Sidewalk, 4" Thick
606039P	Hot Mix Asphalt Driveway, 6" Thick
606084P	Detectable Warning Surface
607032P	9"x16" Concrete Vertical Curb With Gutter
610003M	Traffic Stripes, 4"
802021M	Tree Removal Over 6" to 12" Diameter
804000P	Topsoil Spreading, 5" Thick
806006P	Fertilizing and Seeding, Type A-3
809003P	STRAW MULCHING

Item No.	Description
a	Hot Mix Asphalt 9.5 M 64 Surface Course
b	Hot Mix Asphalt 19 M 64 Base Course
c	Dense Graded Aggregate, 8" Thick
d	9"x16" White Concrete Vertical Curb
e	Concrete Sidewalk, 4" Thick

NOTE:
* QUANTITIES FOR THIS ITEM SHOWN IN CROSS SECTION PLANS UNDER "SBC"

WSP

TYPICAL SECTIONS

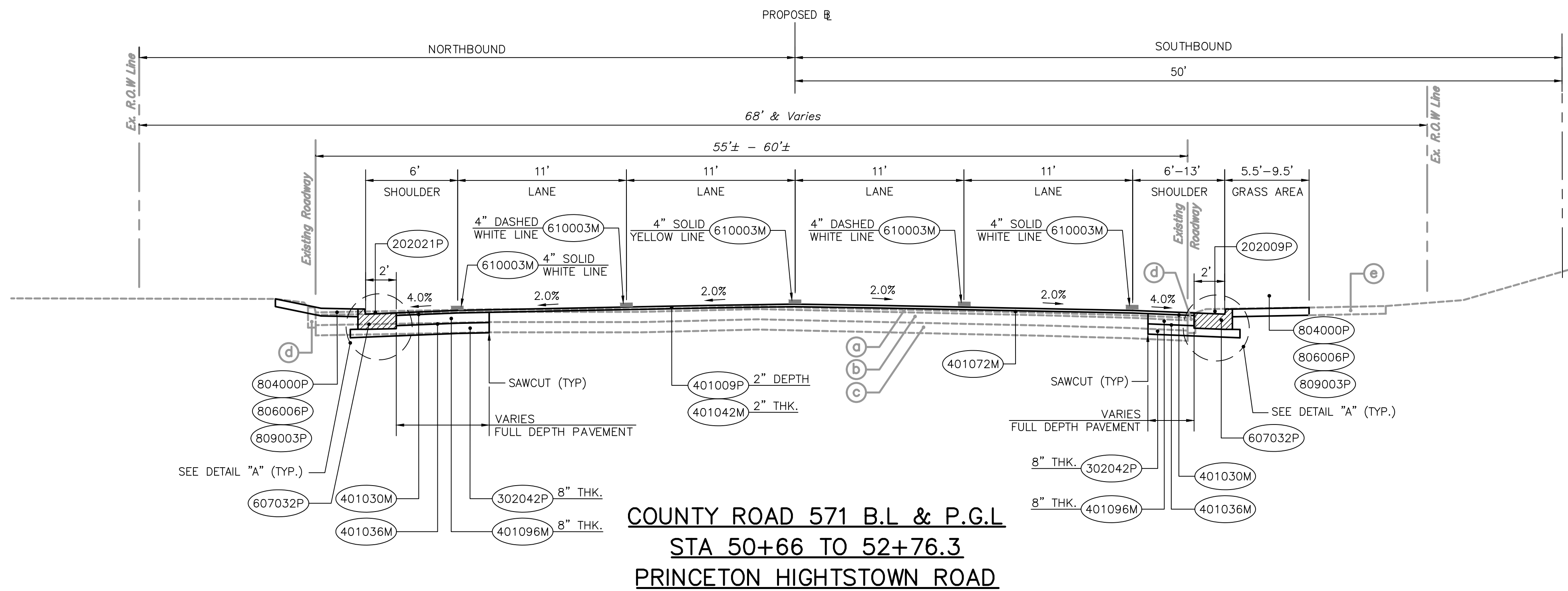
**IMPROVEMENTS TO
PRINCETON-HIGHTSTOWN ROAD
COUNTY ROUTE No. 571**

FROM STA. 10+28.54 TO STA. 57+00.00

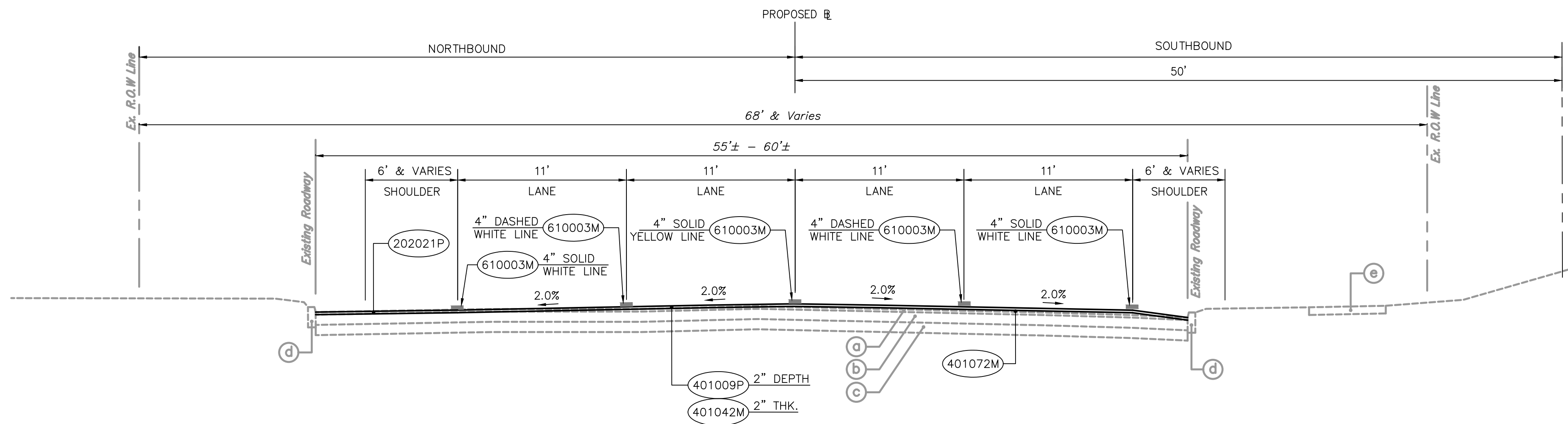
TOWNSHIP OF WEST WINDSOR, MERCER COUNTY

MICHAEL DUNN PROFESSIONAL ENGINEER		N.J. LIC. No. 24GE04500000	
DES. BY	DATE	SCALE	SHEET No.
CHK'D BY	DATE	FLD. WK. BY	
DRAWN BY	DATE	BK.	5
CHK'D BY	DATE	APP'D BY	87

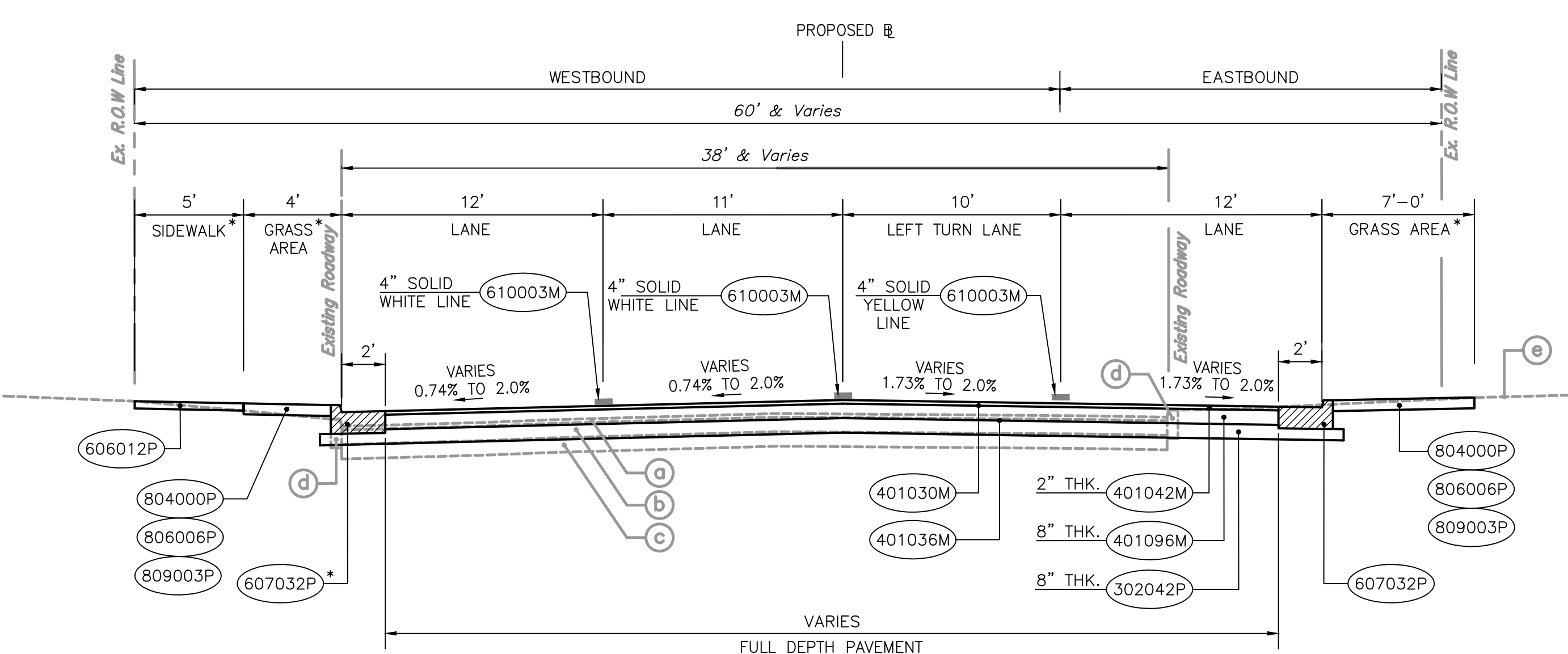
LOUIS BERGER, MORRISTOWN, NJ CADD FILE: V:\Operations\167-DR\PC\1001\Technical\Cadd\Sheet Files\Contract 2\03_Typical Sections.dwg Aug 18, 2020 - 9:27am



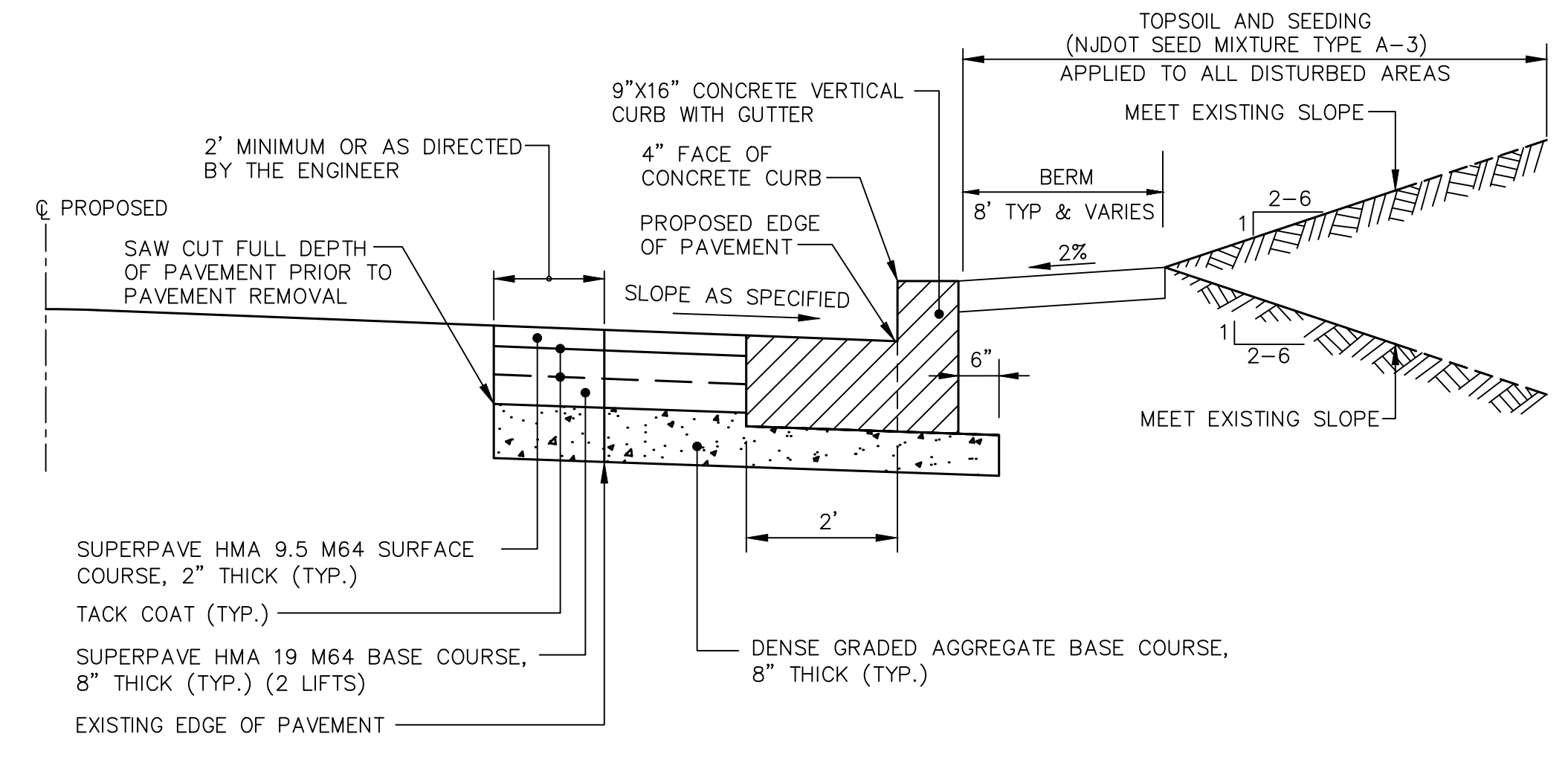
**COUNTY ROAD 571 B.L. & P.G.L.
STA 50+66 TO 52+76.3
PRINCETON HIGHTSTOWN ROAD**



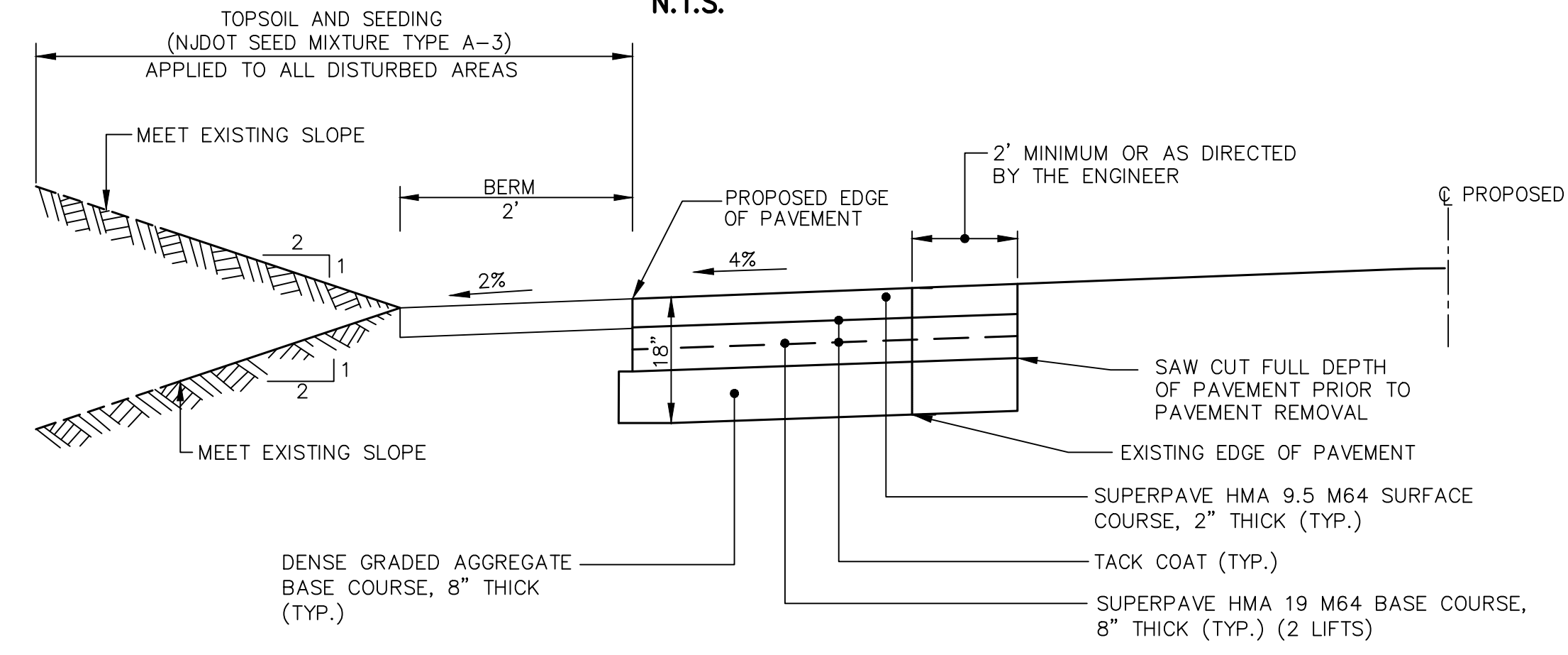
**COUNTY ROAD 571 B.L. & P.G.L.
STA 52+76.3 TO 54+00
PRINCETON HIGHTSTOWN ROAD**



**STA 5+00 TO 6+40L
GROVES MILL ROAD B.L. & P.G.L.**



**TYPICAL ROAD-WIDENING DETAIL WITH CURB & GUTTER
DETAIL "A"
N.T.S.**



**TYPICAL ROAD-WIDENING DETAIL WITHOUT CURB
DETAIL "B"
N.T.S.**

Proposed Materials	
Item No.	To Be Constructed
157006M	Monument
202021P	Removal of Pavement
202009P	Excavation Unclassified
302042P	Dense Graded Aggregate Base Course, 8" Thick
401009P	HMA Milling, 3" Or Less
401021M	Hot Mix Asphalt Pavement Repair
401030M	Tack Coat
401036M	Prime Coat
401042M	Hot Mix Asphalt 9.5 M 64 Surface Course
401072M *	Hot Mix Asphalt 12.5 M 64 Intermediate Course
401096M	Hot Mix Asphalt 19 M 64 Base Course
606012P	Concrete Sidewalk, 4" Thick
606039P	Hot Mix Asphalt Driveway, 6" Thick
606084P	Detectable Warning Surface
607032P	9"x16" Concrete Vertical Curb With Gutter
610003M	Traffic Stripes, 4"
802021M	Tree Removal Over 6" to 12" Diameter
804000P	Topsoil Spreading, 5" Thick
806006P	Fertilizing and Seeding, Type A-3
809003P	STRAW MULCHING

Item No.	Description
a	Hot Mix Asphalt 9.5 M 64 Surface Course
b	Hot Mix Asphalt 19 M 64 Base Course
c	Dense Graded Aggregate, 8" Thick
d	9"x16" White Concrete Vertical Curb
e	Concrete Sidewalk, 4" Thick

NOTE:
* QUANTITIES FOR THIS ITEM SHOWN IN CROSS SECTION PLANS UNDER "SBC"

wsp

MICHAEL DUNN
PROFESSIONAL ENGINEER
N.J. LIC. No. 24GE04500000

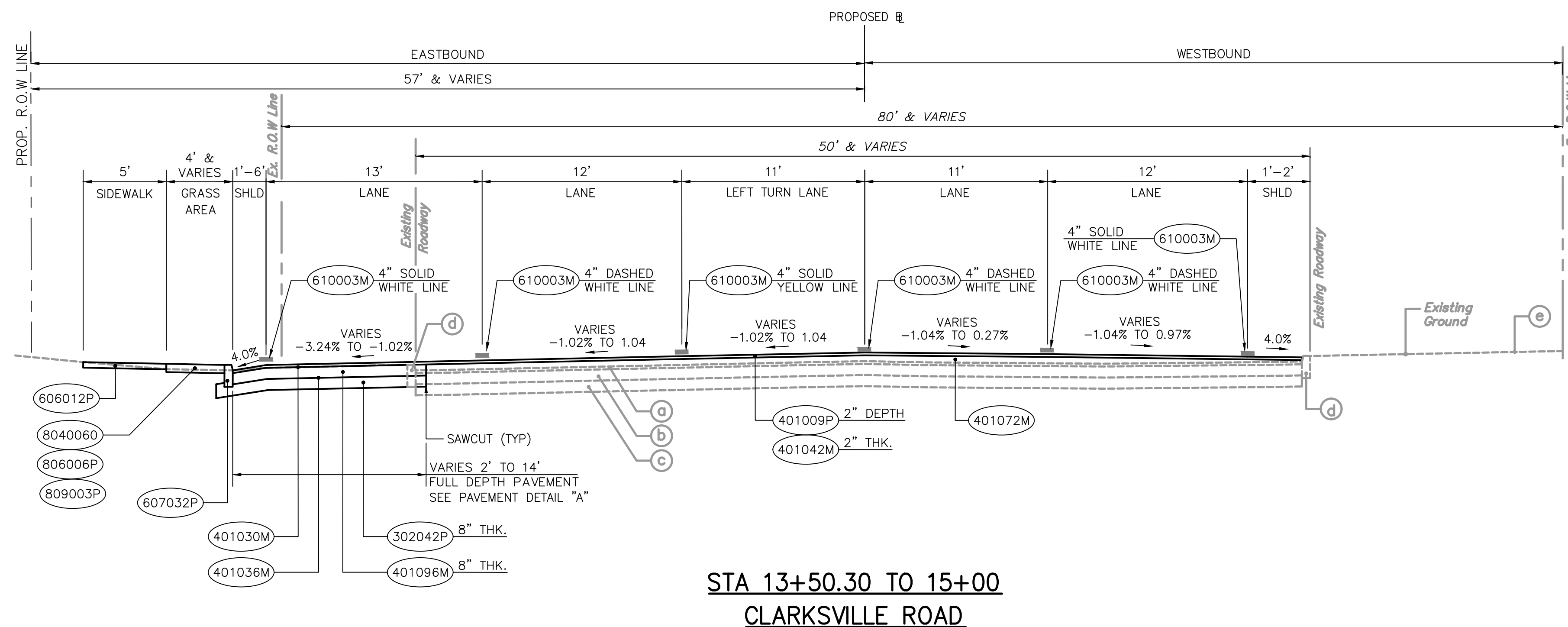
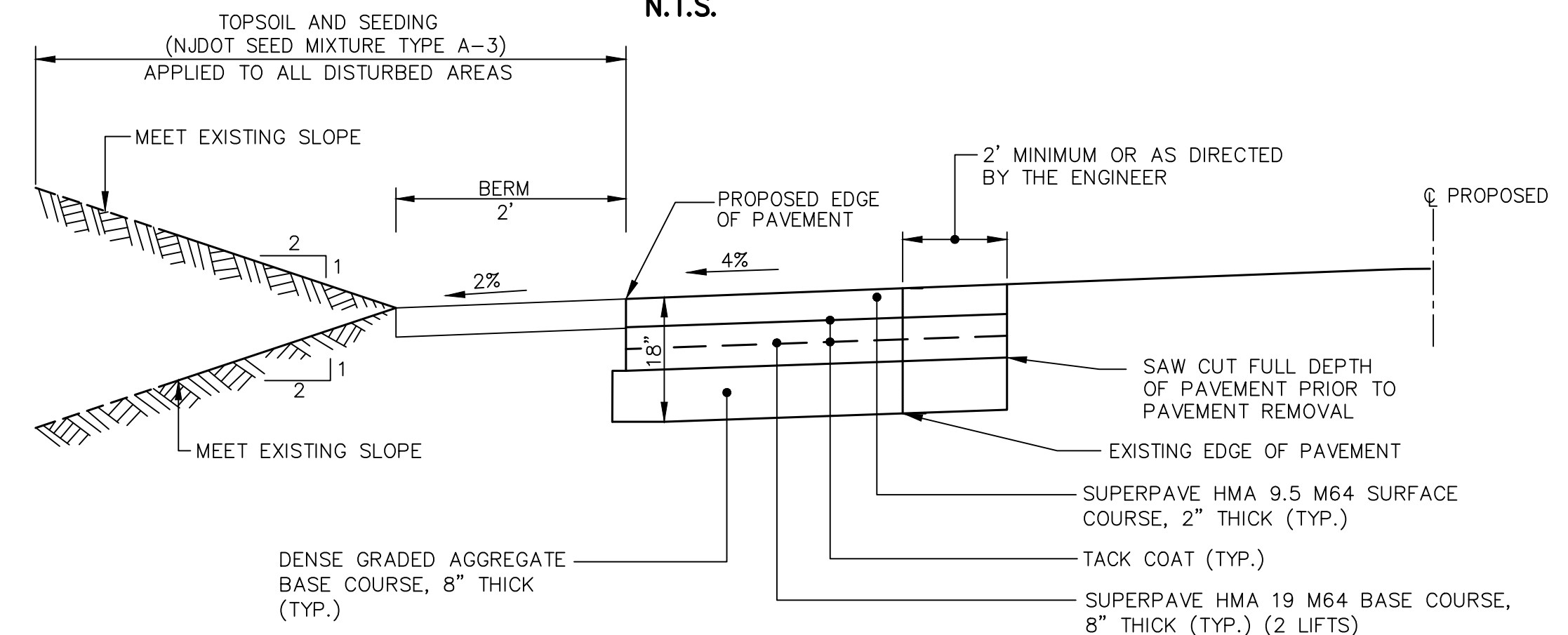
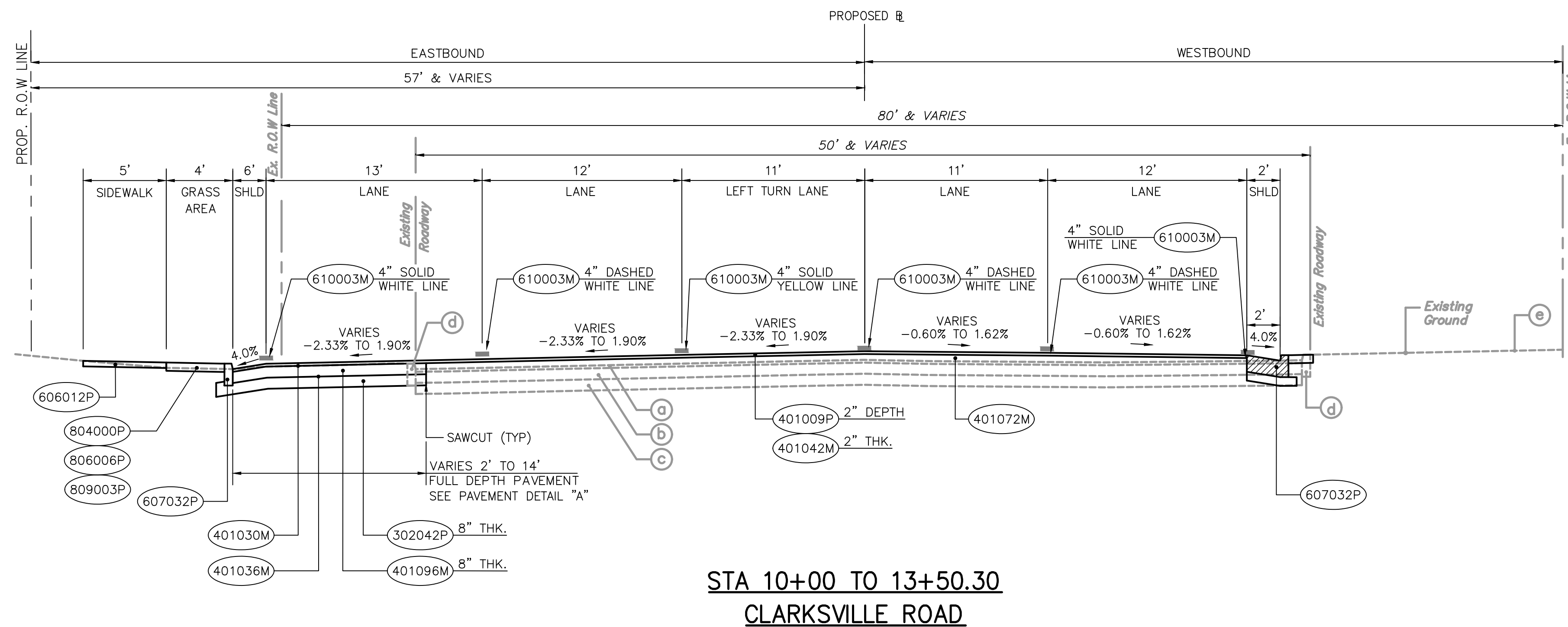
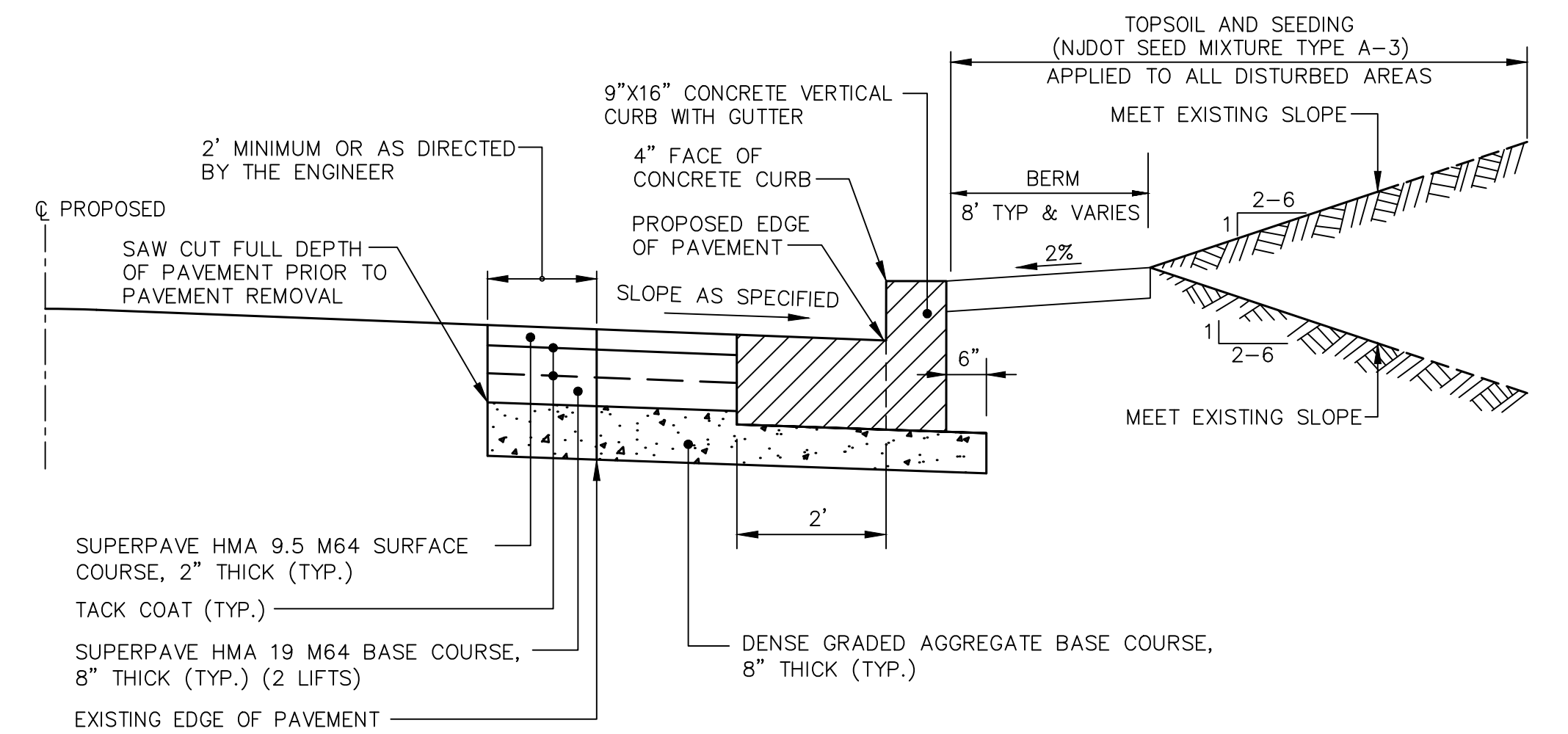
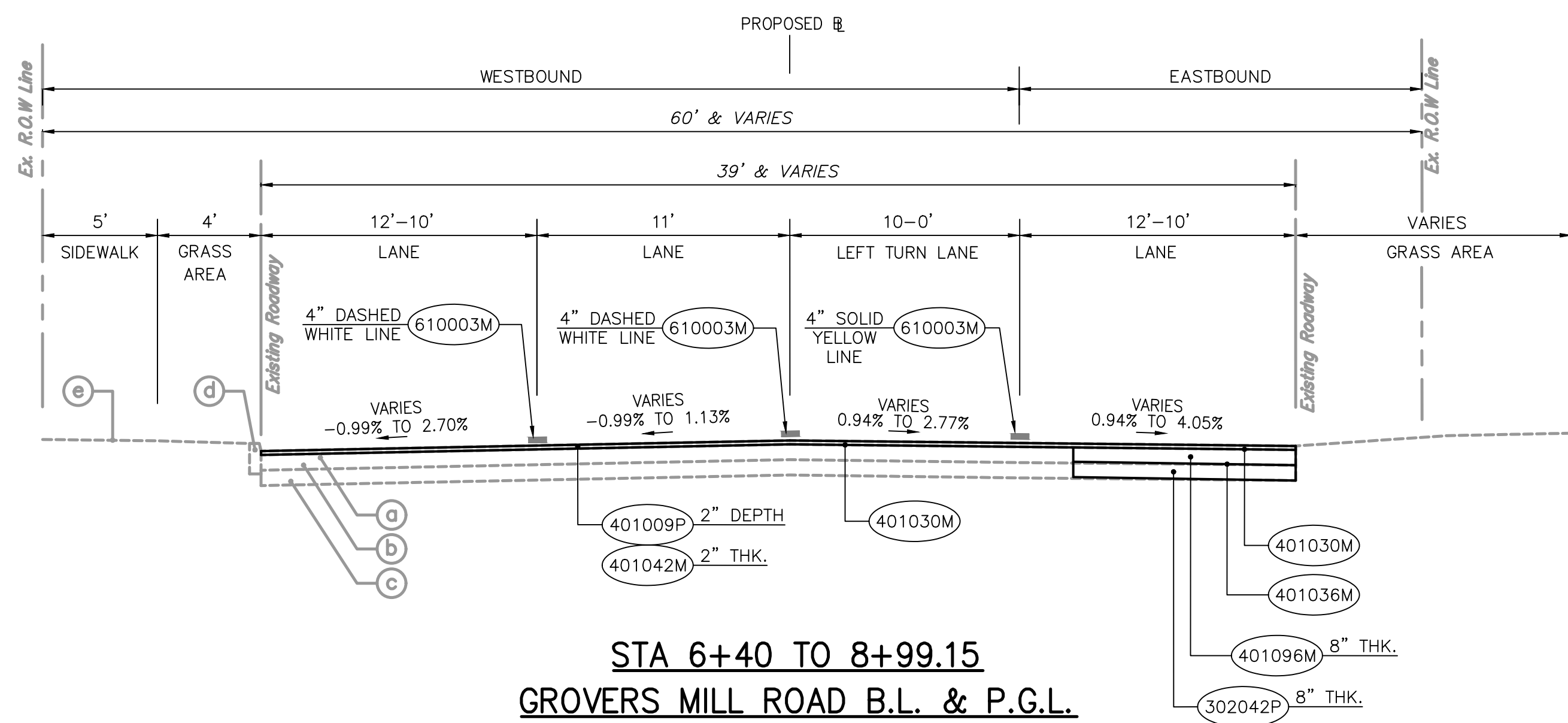
TYPICAL SECTIONS

**IMPROVEMENTS TO
PRINCETON-HIGHTSTOWN ROAD
COUNTY ROUTE No. 571
FROM STA. 10+28.54 TO STA. 57+00.00
TOWNSHIP OF WEST WINDSOR, MERCER COUNTY**

DES. BY	DATE	AUGUST, 2019	SCALE		SHEET No.	
CHK'D BY	DATE	AUGUST, 2019	FLD. WK. BY		6	87
DRAWN BY	DATE	AUGUST, 2019	BK.			
CHK'D BY	DATE	AUGUST, 2019	APP'D BY			

TS-4
TS-6

LOUIS BERGER, MORRISTOWN, NJ CADD FILE: V:\Operations\167-DR\PC\1001\Technical\Cadd\Sheet Files\Contract 2\03_Typical Sections.dwg Aug 18, 2020 - 9:28am



Proposed Materials	
Item No.	To Be Constructed
157006M	Monument
202021P	Removal of Pavement
202009P	Excavation Unclassified
302042P	Dense Graded Aggregate Base Course, 8" Thick
401009P	HMA Milling, 3" Or Less
401021M	Hot Mix Asphalt Pavement Repair
401030M	Tack Coat
401036M	Prime Coat
401042M	Hot Mix Asphalt 9.5 M 64 Surface Course
401072M *	Hot Mix Asphalt 12.5 M 64 Intermediate Course
401096M	Hot Mix Asphalt 19 M 64 Base Course
606012P	Concrete Sidewalk, 4" Thick
606039P	Hot Mix Asphalt Driveway, 6" Thick
606084P	Detectable Warning Surface
607032P	9"X16" Concrete Vertical Curb With Gutter
610003M	Traffic Stripes, 4"
802021M	Tree Removal Over 6" to 12" Diameter
804000P	Topsoil Spreading, 5" Thick
806006P	Fertilizing and Seeding, Type A-3
809003P	STRAW MULCHING

Item No.	Description
a	Hot Mix Asphalt 9.5 M 64 Surface Course
b	Hot Mix Asphalt 19 M 64 Base Course
c	Dense Graded Aggregate, 8" Thick
d	9"X16" White Concrete Vertical Curb
e	Concrete Sidewalk, 4" Thick

NOTE:
* QUANTITIES FOR THIS ITEM SHOWN IN CROSS SECTION PLANS UNDER "SBC"

wsp

MICHAEL DUNN
PROFESSIONAL ENGINEER
N.J. LIC. No. 24GE04500000

DATE _____

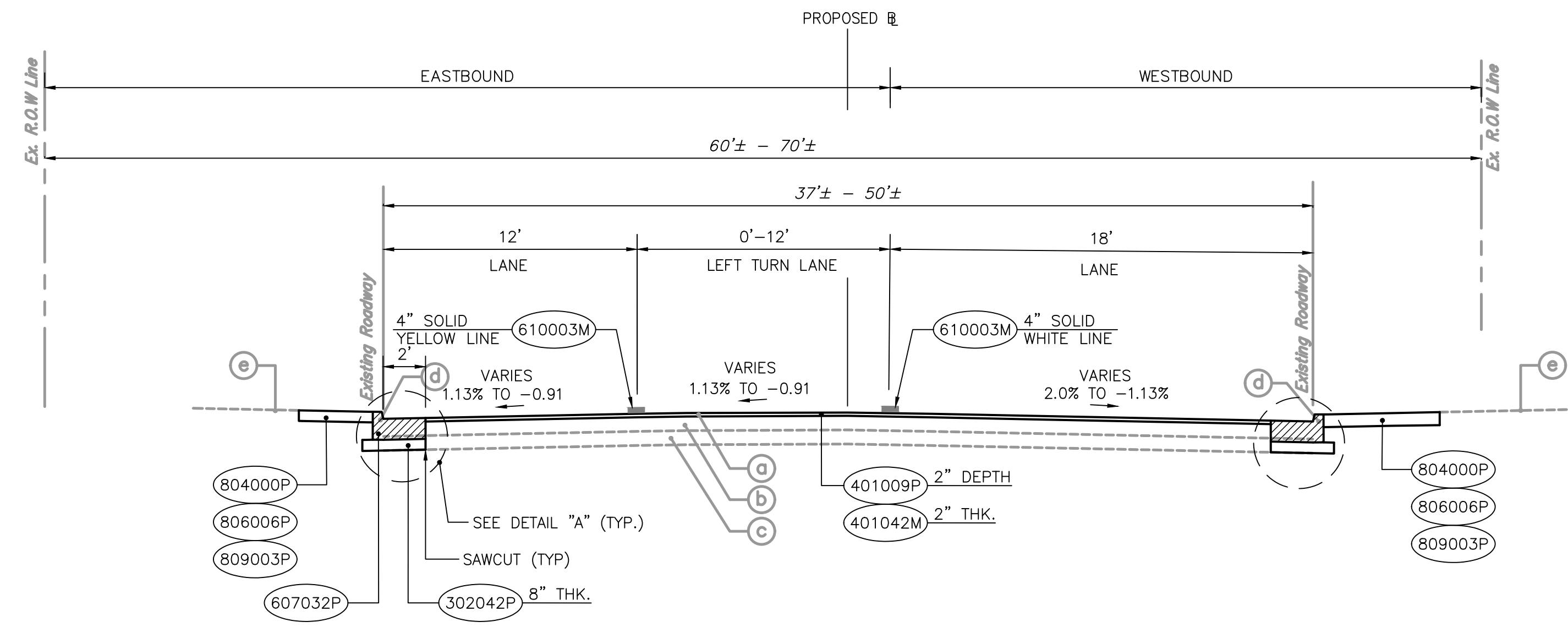
TYPICAL SECTIONS

**IMPROVEMENTS TO
PRINCETON-HIGHTSTOWN ROAD
COUNTY ROUTE No. 571**
FROM STA. 10+28.54 TO STA. 57+00.00
TOWNSHIP OF WEST WINDSOR, MERCER COUNTY

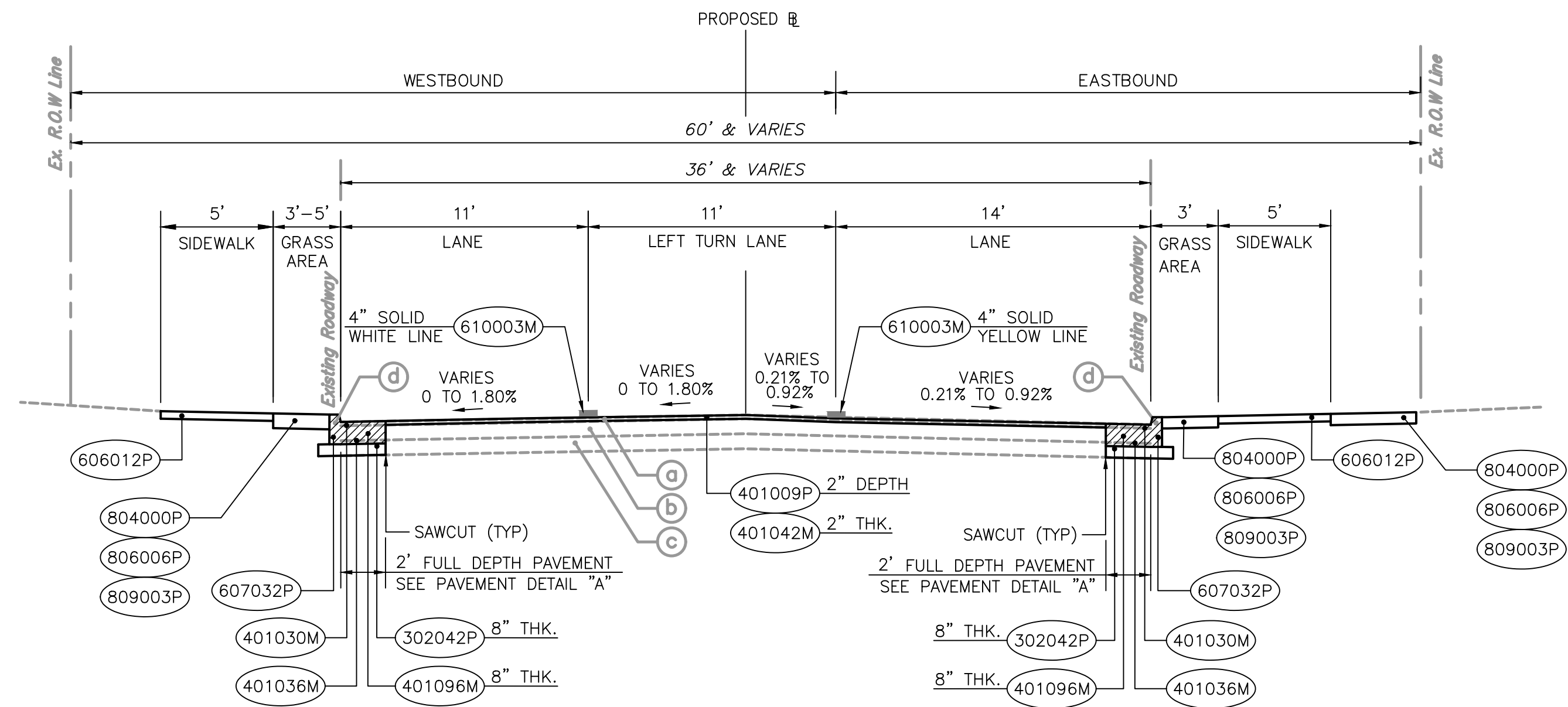
DES. BY	DATE	AUGUST, 2019	SCALE	SHEET No.
CHK'D BY	DATE	AUGUST, 2019	FLD.WK.BY	7 87
DRAWN BY	DATE	AUGUST, 2019	BK.	
CHK'D BY	DATE	AUGUST, 2019	APP'D BY	

TS-5
TS-6

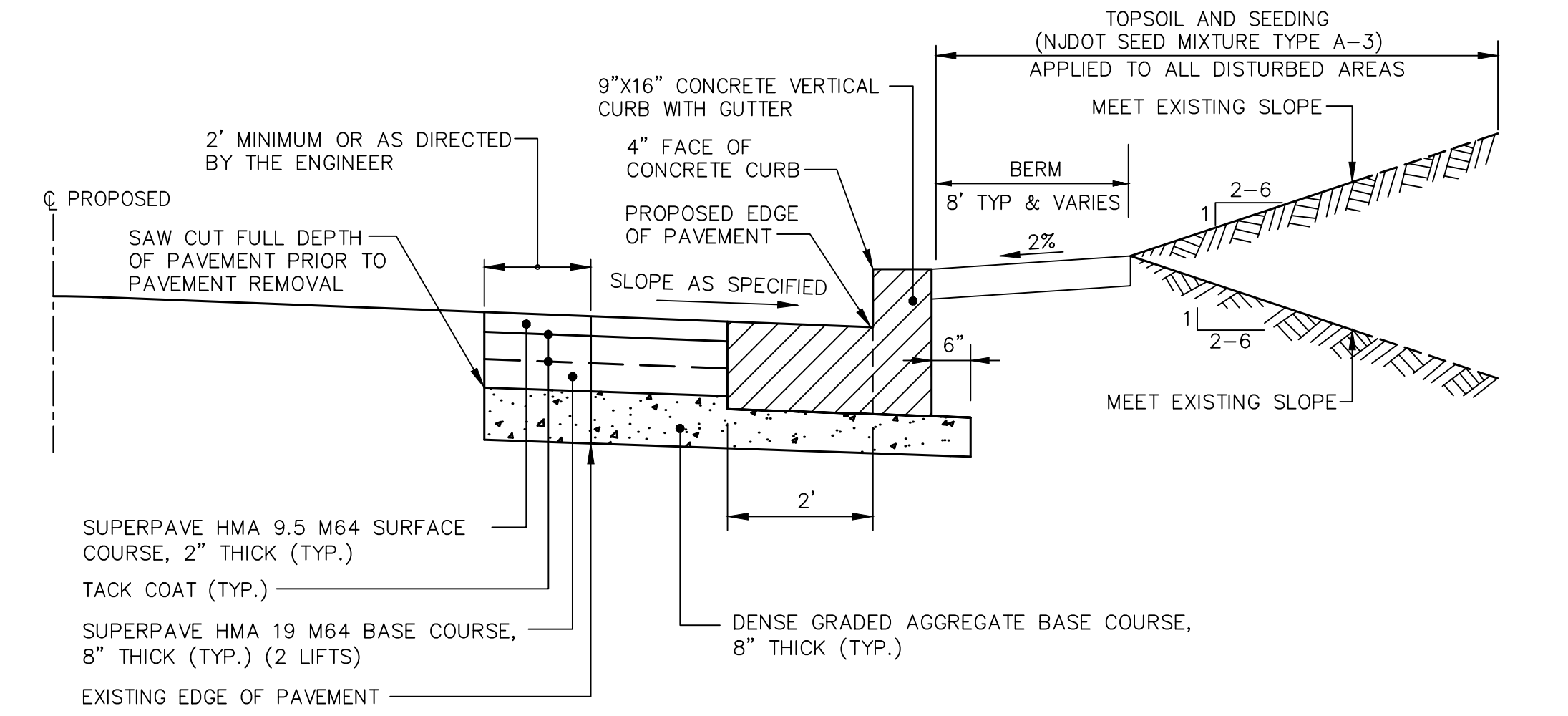
LOUIS BERGER, MORRISTOWN, NJ CADD FILE: V:\Operations\167-DRVPC\1001\Technical\Cadd\Sheet Files\Contract 2\03_Typical Sections.dwg Aug 18, 2020 - 9:28am



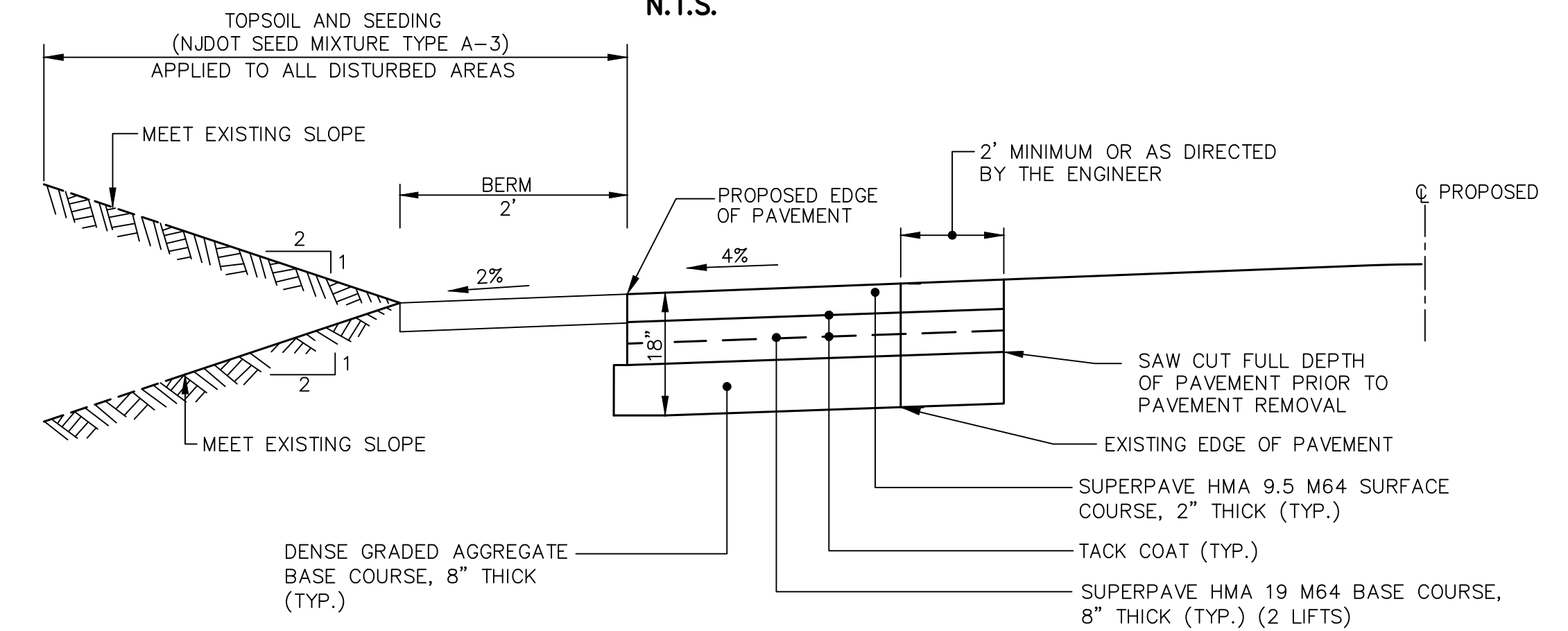
STA 0+00 TO 2+21.69
ALEXANDER ROAD



NOTE:
* WHERE SHOWN ON PLANS.
STA 0+00 TO 1+00.57
SHERBROOKE DRIVE



TYPICAL ROAD-WIDENING DETAIL WITH CURB & GUTTER
DETAIL "A"
N.T.S.



TYPICAL ROAD-WIDENING DETAIL WITHOUT CURB
DETAIL "B"
N.T.S.

Proposed Materials	
Item No.	To Be Constructed
157006M	Monument
202021P	Removal of Pavement
202009P	Excavation Unclassified
302042P	Dense Graded Aggregate Base Course, 8" Thick
401009P	HMA Milling, 3" Or Less
401021M	Hot Mix Asphalt Pavement Repair
401030M	Tack Coat
401036M	Prime Coat
401042M	Hot Mix Asphalt 9.5 M 64 Surface Course
401072M *	Hot Mix Asphalt 12.5 M 64 Intermediate Course
401096M	Hot Mix Asphalt 19 M 64 Base Course
606012P	Concrete Sidewalk, 4" Thick
606039P	Hot Mix Asphalt Driveway, 6" Thick
606084P	Detectable Warning Surface
607032P	9"X16" Concrete Vertical Curb With Gutter
610003M	Traffic Stripes, 4"
802021M	Tree Removal Over 6" to 12" Diameter
804000P	Topsoil Spreading, 5" Thick
806006P	Fertilizing and Seeding, Type A-3
809003P	STRAW MULCHING

Item No.	Description
a	Hot Mix Asphalt 9.5 M 64 Surface Course
b	Hot Mix Asphalt 19 M 64 Base Course
c	Dense Graded Aggregate, 8" Thick
d	9"X16" White Concrete Vertical Curb
e	Concrete Sidewalk, 4" Thick

NOTE:
* QUANTITIES FOR THIS ITEM SHOWN IN CROSS SECTION PLANS UNDER "SBC"

	TYPICAL SECTIONS	
	IMPROVEMENTS TO PRINCETON-HIGHTSTOWN ROAD COUNTY ROUTE No. 571 FROM STA. 10+28.54 TO STA. 57+00.00 TOWNSHIP OF WEST WINDSOR, MERCER COUNTY	
MICHAEL DUNN PROFESSIONAL ENGINEER N.J. LIC. No. 24GE04500000	DES. BY: _____ DATE: _____ SCALE: _____ SHEET No. _____ CHK'D BY: _____ DATE: _____ FLD. WK. BY: _____ DRAWN BY: _____ DATE: _____ BK. _____ CHK'D BY: _____ DATE: _____ APP'D BY: _____	8 87

TS-6
TS-6